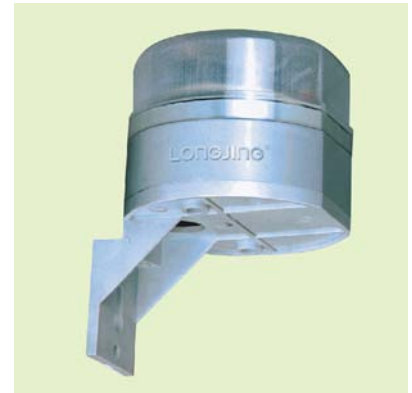


LLAS27 Photo Controls

LLAS27

- ⊙ Electronic Photo Control
- ⊙ Rated voltage: 120/240V~
- ⊙ Rated frequency: 50/60Hz
- ⊙ Rated current: 10A,15A
- ⊙ Load: 800-1500W TUNGSTEN
- ⊙ Light level: ON/OFF; 20-40LUX/50-80LUX or at customers'option
- ⊙ Acting time: 15-25"
- ⊙ Protection degree of enclosure:IP54
- ⊙ Temperature range: -40℃~+70℃
- ⊙ Electrical life: >6000CYCLES

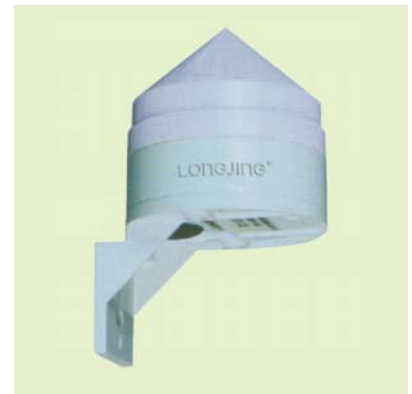


LLAS27

LLAS28 Photo Controls

LLAS28

- ⊙ Electronic Photo Control
- ⊙ Rated voltage: 120/240V~(applicable 105-305V~)
- ⊙ Rated frequency: 50/60Hz
- ⊙ Rated current: 10A,15A
- ⊙ Load: 1000-2000 W TUNGSTEN
- ⊙ Light level: ON/OFF;20-40LUX/50-80LUX or at customers'option
- ⊙ Acting time: <15"
- ⊙ Protection degree of enclosure: IP54
- ⊙ Temperature range: -40℃~+70℃
- ⊙ Electrical life: >6000CYCLES

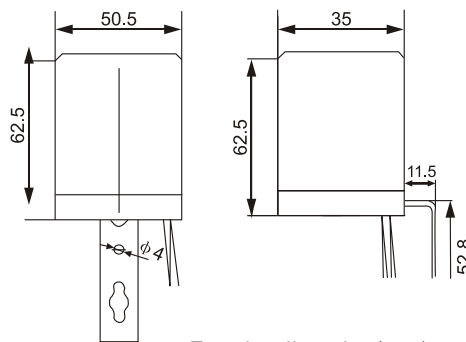


LLAS28

LLAS29 Photo Controls

LLAS29

- ⊙ Electronic Photo Control
- ⊙ Rated voltage: 120/240V~
(applicable 105-305V~)
- ⊙ Rated frequency: 50/60Hz
- ⊙ Rated current: 10A,15A, 20A
- ⊙ Load: 1000-2000 W TUNGSTEN
- ⊙ Light level: ON/OFF;20-40LUX
/50-80LUX or at customers'option
- ⊙ Acting time: <15"
- ⊙ Protection degree of enclosure: IP54
- ⊙ Temperature range: -40℃~+70℃
- ⊙ Electrical life: >6000CYCLES



Exterior dimension(mm)



LLAS29